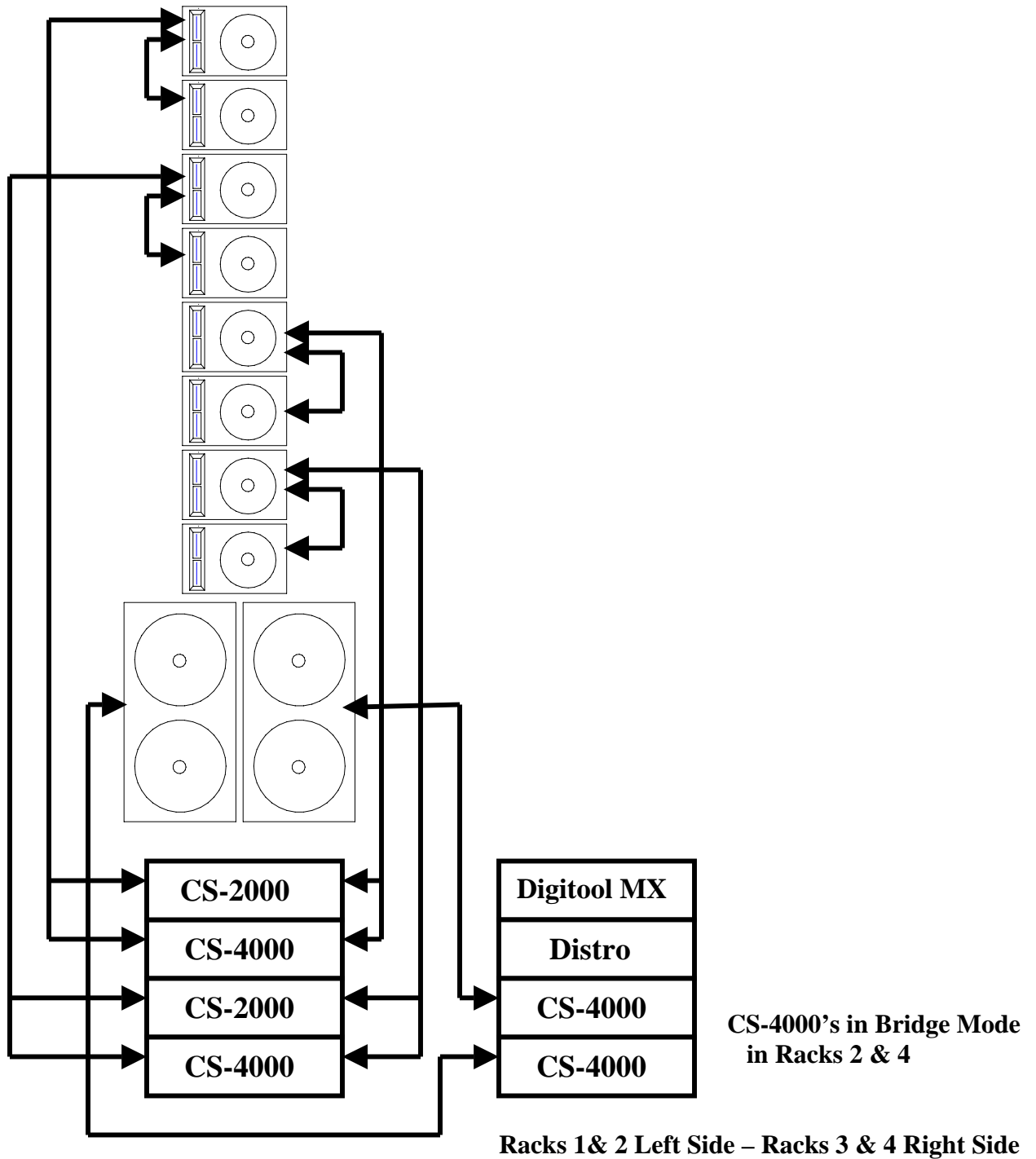


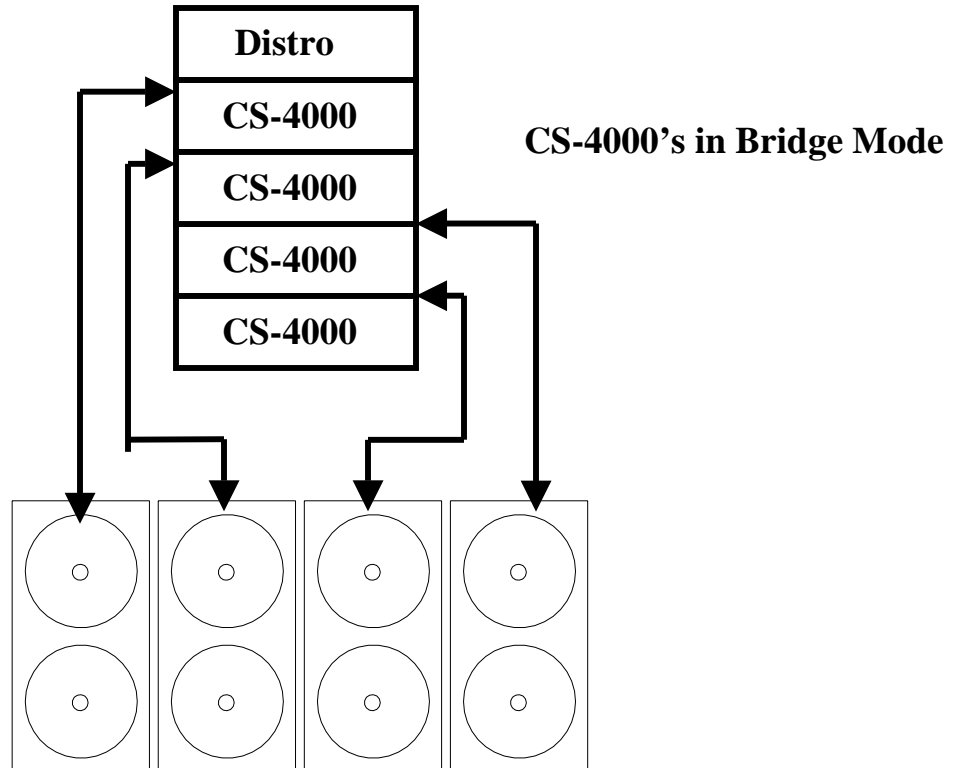
# VerrsArray 8 - Hang System with 2 VR-218 Subs per side & 4 Aux Fed Subs in Center

**46,760 Watts**

Typical of Left and Right Sides



### Rack Five SUBS



# 8 – Hang VersArray System w/ 8 Subs 4 Subs are Aux Fed

By Marty McCann  
Peavey Electronics Corporation

## 45,440 Watts

### Left & Right FOH System

<u>QTY</u>	<u>Model</u>	<u>Description</u>
16	VR-112	Two-way Loudspeaker Enclosure
8	VR-218	Low Frequency Loudspeaker Enclosure
4	CS-1400	Power Amplifier
12	CS-4000	Power Amplifier
2	AA Digitool MX	Digital Signal Processor
2	Fly Bar	Versarray 112 Fly Bar

To fly a Hang of 8 VR-112 Enclosures, it will take a Genie Lift

<http://www.genieindustries.com/ml-series/index.asp>

### Systemware

<u>QTY</u>	<u>Model</u>	<u>Description</u>	
16	Pak Locking Pins	VR-112 Pins (4 Pak)	#00594020
12	3 Ft Low Z	Balanced Cable	#00380220
5	D3F	Female XLR Panel Mount	#00382340
2	D3M	Male XLR Panel Mount	#00382370
9	3 Ft Stereo TRS	Balanced Patch Cable	#00380950
4	NC3MX-BAG	Male XLR	#00383560
8	2 Ft 4 Cond	16-Gauge Spkn/Spkn Cable	#00597020
4	10 Ft 4 Cond	12-Gauge Spkn/Spkn Cable	#00575030
8	25 Ft 4 Cond	12-Gauge Spkn/Spkn Cable	#00575040
4	50 Ft 4 Cond	12-Gauge Spkn/Spkn Cable	#00575050
16	NL4MP	4 Pole Speakon Panel Mount	#00384870
3	Distro	6 x 20 Amp Power Distro	#00511590

**Rack One  
Left FOH**

<b>CS-1200</b>
<b>CS-4000</b>
<b>CS-1200</b>
<b>CS-4000</b>

**Rack Three  
SUBS**

<b>Distro</b>
<b>CS-4000</b>
<b>CS-4000</b>
<b>CS-4000</b>
<b>CS-4000</b>

**Rack Four  
Right FOH**

<b>CS-2000</b>
<b>CS-4000</b>
<b>CS-2000</b>
<b>CS-4000</b>

**Rack Two  
Left FOH**

<b>Distro</b>
<b>Digitool MX</b>
<b>CS-4000</b>
<b>CS-4000</b>

**Rack Five  
Right FOH**

<b>Distro</b>
<b>Digitool MX</b>
<b>CS-4000</b>
<b>CS-4000</b>

Note Panels are renderings but are not to scale

